



INOVAT PILLARS

Why INOVAT PILLARS ground screws? Seeking a straightforward and robust foundation for your project? INOVAT PILLARS ground screws offer the perfect solution, allowing you to establish a solid foundation for your construction without the hassle of using concrete. Simple, yet strong.

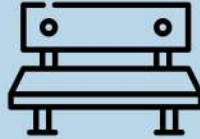
- Premium quality
- Licensed professionals
- Located in Latvia
- Reliable service
- Professional solutions
- Tested and certified

www.inovatpillars.com

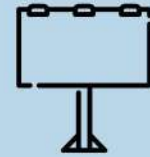
Where to use ground screws? FOUNDATION



Fences & Posts



Benches



Outdoor Advertising



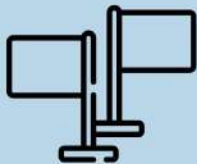
Saunas & Log Houses



Piers & Docks



Outdoor Lighting



Flags & Flagpoles



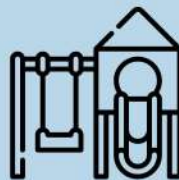
Road Signs



Sheds & Barns



Volley Nets



Playgrounds

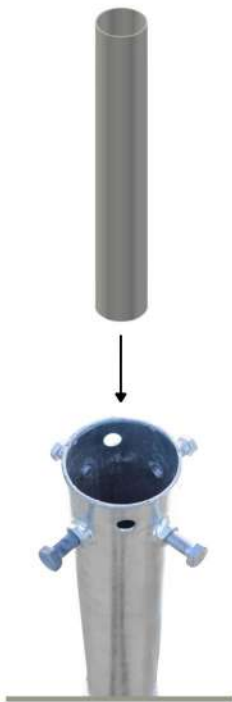


Solar Panels



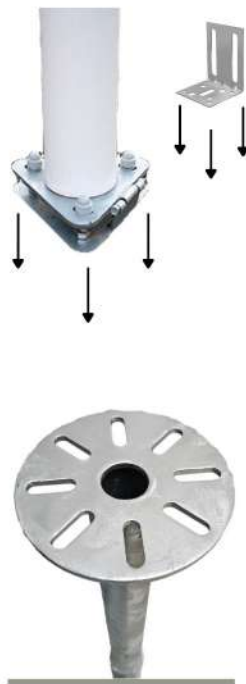
How to use ground screws? APPLICATION

G ground screws are designed for securing various types of pipes within the screws themselves. Pipes are firmly fixed using bolts, making these screws ideal for fences, flagpoles, volleyball nets, and other types of posts. They are also extendable for versatile applications.



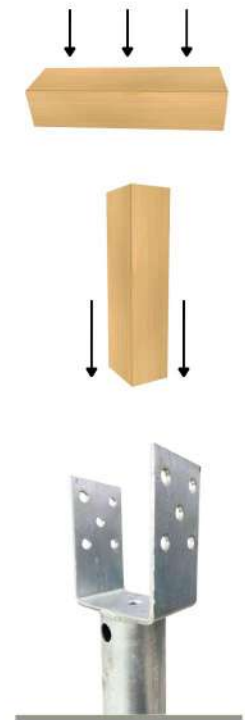
G profile

The **M ground screw** features a thick flat, round/hexagonal base with a support flange. M - profile screw piles offer a stable, smooth building surface, even in challenging terrain conditions.



M profile

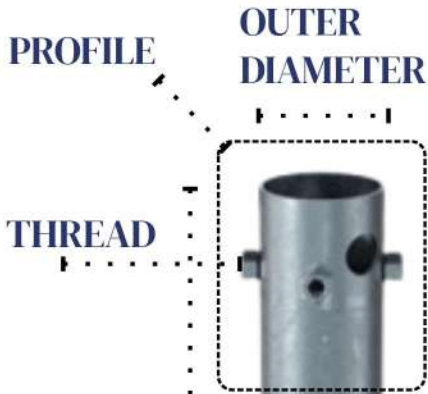
U ground screws are perfect for timber frame construction and garden projects, such as decking, garden structures, or sheds. These screws are designed for installing both vertical and horizontal beams securely.



U profile

GROUND SCREW

G 76 x 1000 x 3 - 4xM16



GROUND SCREW LENGTH



SPECIFICATIONS

- Number and size of the bolt fixation (G)
- Bracket width (U)
- Central thread size on the plate (M)

STEEL THICKNESS (mm)

GROUND SCREW LENGTH (mm)

OUTER DIAMETER (mm)

PROFILE:



G profile

open tube with bolt fixation



M profile

round/hexagonal plate with thread



U profile

"u" type bracket with holes for fixation

G76x1000x3 - 4xM16

PROFILES



G profile

G 76x865x2 - 4xM16
G 76x1000x3 - 4xM16
G 76x1500x3 - 4xM16
G 89x1500x3 - 4xM16

pages **6-7**



M profile

M 68x550x1.8 - M16
M 76x800x3 - M16
M 76x1000x3 - M16
M 76x1300x3 - M16

pages **8-9**



U profile

U 68x685x1.8 - 71
U 68x865x1.8 - 91

pages **10-11**



Accessories

G 76 to M adapter
G 89 to M adapter
G 76 x 1000 extension
G 89 x 1000 extension
G to L adapter
M to U adapter

pages **12-14**



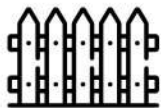
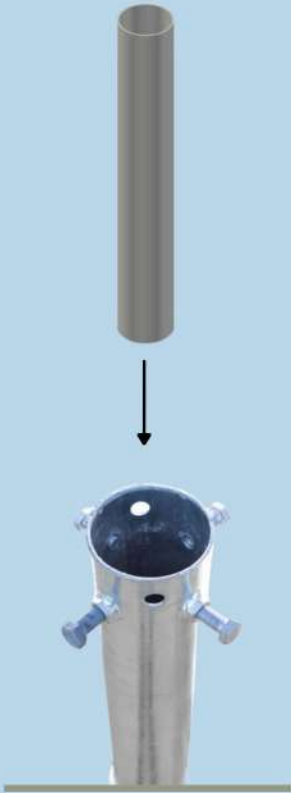
Equipment

Ground screw driver SPD-10 000
Pre drilling tool
Ground screw reductor

pages **15-17**

G PROFILE

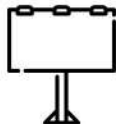
G ground screws are designed for securing various types of pipes within the screws themselves. Pipes are firmly fixed using bolts, making these screws ideal for fences, flagpoles, volleyball nets, and other types of posts. They are also extendable for versatile applications.



Fences & Posts



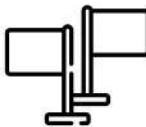
Solar Panels



Outdoor Advertising



Outdoor Lighting



Flags & Flagpoles

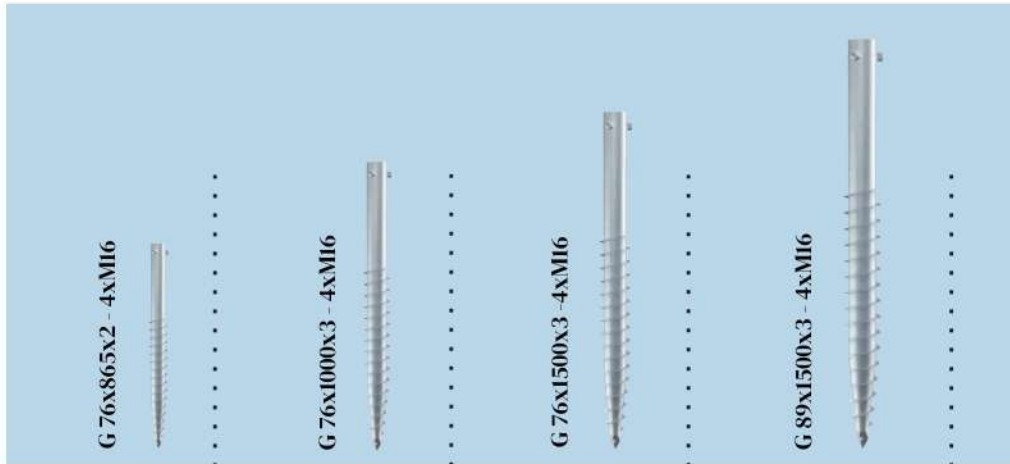


Road Signs

G PROFILE



Product Series



Technical Data

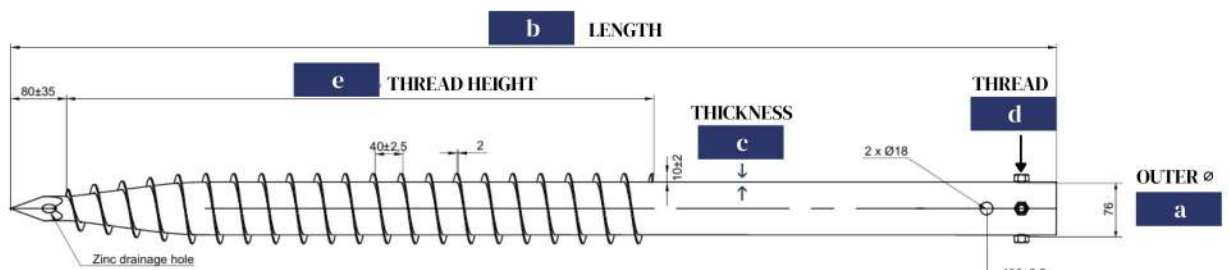
	OUTER Ø	LENGTH	THICKNESS	THREAD	THREAD HEIGHT	WEIGHT
	mm	mm	mm		mm	kg
G 76x865x2 - 4xM16	76	865	2	4xM16	400	3.75
G 76x1000x3 - 4xM16	76	1000	3	4xM16	440	6.1
G 76x1500x3 - 4xM16	76	1500	3	4xM16	840	9.3
G 89x1500x3 - 4xM16	89	1500	3	4xM16	850	12.4

a
 b
 c
 d
 e

Load Tests

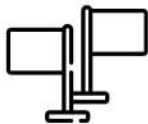
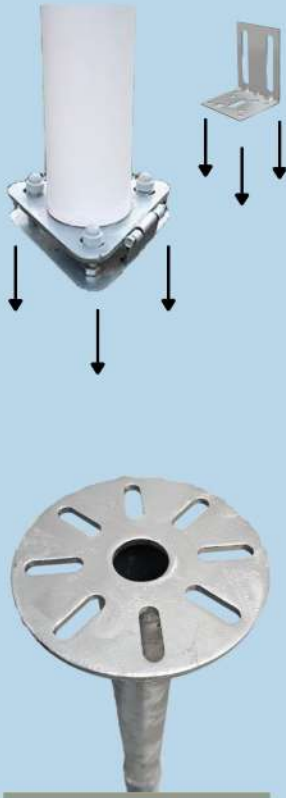
	MAX load, kN (kg)	MAX tension load, kN (kg)	Shift load, kN (kg)
G 76x865x2 - 4xM16	13 (1326)	6.6 (673)	3.6 (367)
G 76x1000x3 - 4xM16	16.5 (1683)	9.5 (969)	4.5 (459)
G 76x1500x3 - 4xM16	31 (3161)	18.5 (1886)	7.5 (765)
G 89x1500x3 - 4xM16	36 (3671)	20.2 (2060)	9.3 (948)

1kN ~ 101.97 kg. All values are approximate and can be used as estimates for initial calculations. Actual load tests are mandatory! The manufacturer is not liable for damage caused due to errors in the calculation of loads.



M PROFILE

The M ground screw features a thick flat, round/hexagonal base with a support flange. M - profile screw piles offer a stable, smooth building surface, even in challenging terrain conditions.



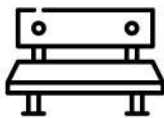
Flags & Flagpoles



Saunas & Log Houses



Sheds & Barns



Benches



Volley Nets

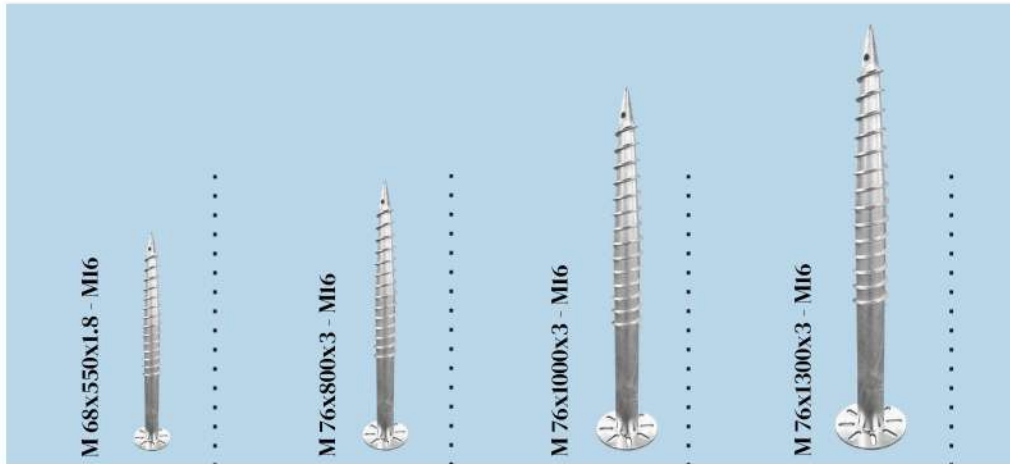


Playgrounds

M PROFILE



Product Series



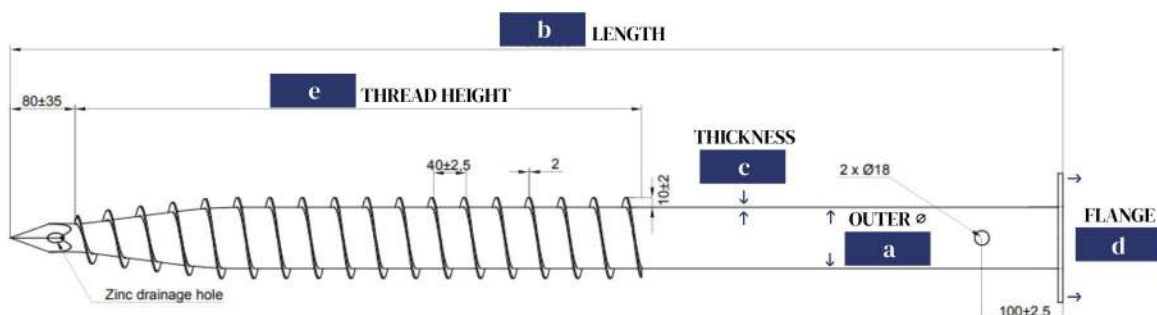
Technical Data

	OUTER \varnothing	LENGTH	THICKNESS	FLANGE	THREAD HEIGHT	WEIGHT
	mm	mm	mm		mm	kg
M 68x550x1.8 - M16	68	550	1.8	120	240	2.4
M 76x800x3 - M16	76	800	3	160	400	5.2
M 76x1000x3 - M16	76	1000	3	160	440	6.8
M 76x1300x3 - M16	76	1300	3	160	640	9.3
	a	b	c	d	e	

Load Tests

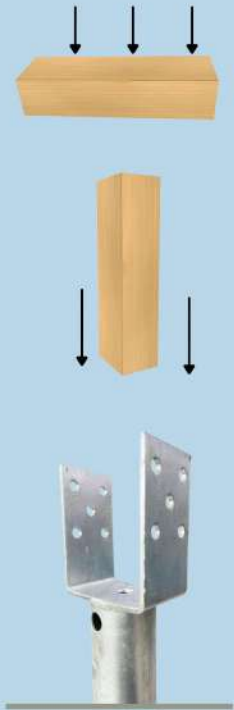
	MAX load, kN (kg)	MAX tension load, kN (kg)	Shift load, kN (kg)
M 68x550x1.8 - M16	3 (306)	2 (204)	0.75 (76)
M 76x800x3 - M16	12.5 (1275)	6.5 (663)	3.4 (347)
M 76x1000x3 - M16	16.5 (1683)	9.5 (969)	4.5 (459)
M 76x1300x3 - M16	24 (2447)	12.3 (1254)	6.3 (642)

1kN ~ 101.97 kg. All values are approximate and can be used as estimates for initial calculations. Actual load tests are mandatory! The manufacturer is not liable for damage caused due to errors in the calculation of loads.

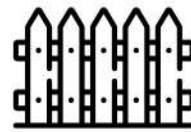


U PROFILE

U ground screws are perfect for timber frame construction and garden projects, such as decking, garden structures, or sheds. These screws are designed for installing both vertical and horizontal beams securely.



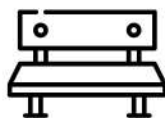
Piers & Docks



Fences & Posts



Sheds & Barns



Benches



Volley Nets

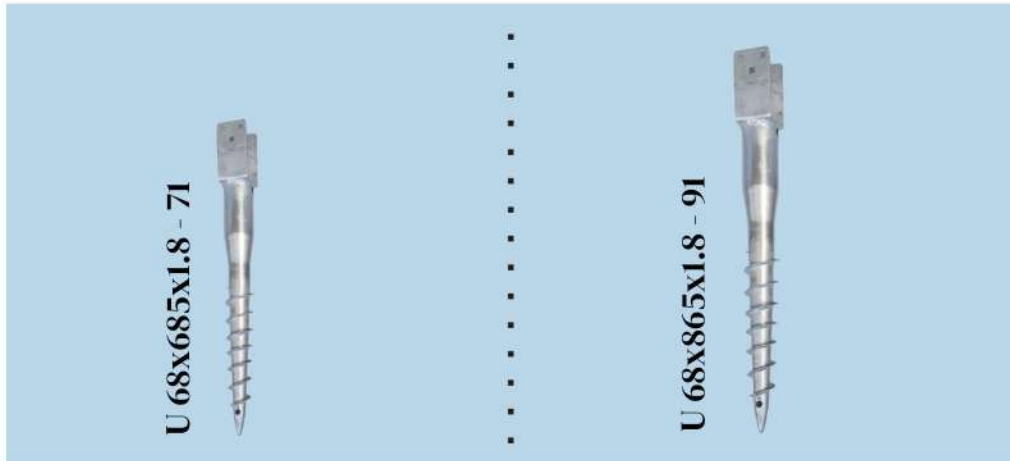


Playgrounds

U PROFILE



Product Series



Technical Data

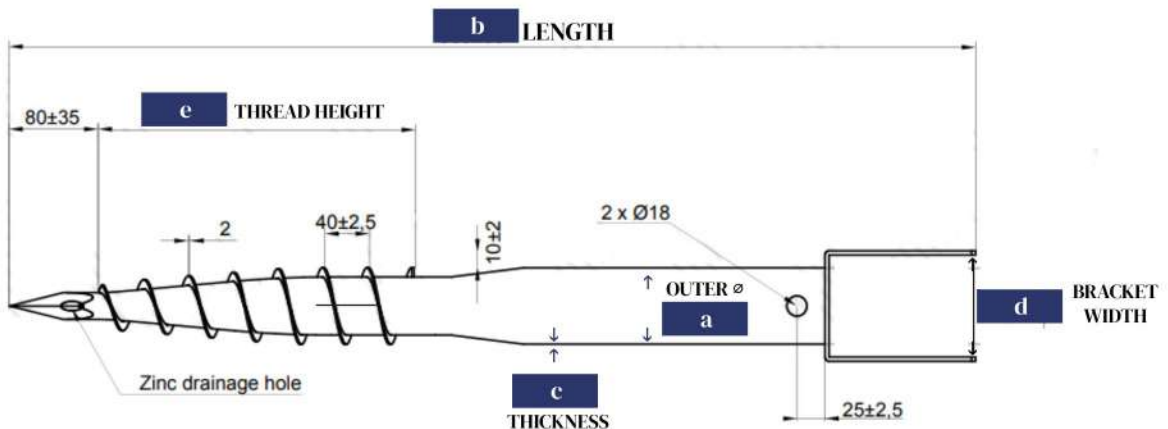
	OUTER \varnothing	LENGTH	THICKNESS	BRACKET WIDTH	THREAD HEIGHT	WEIGHT
	mm	mm	mm	mm	mm	kg
U 68x685x1.8 - 71	68	685	1.8	71	280	2.6
U 68x865x1.8 - 91	68	865	1.8	91	280	3.2

a
b
c
d
e

Load Tests

	MAX load, kN (kg)	MAX tension load, kN (kg)	Shift load, kN (kg)
U 68x685x1.8 - 71	2.5 (255)	1.7 (173)	0.5 (51)
U 68x865x1.8 - 91	6.2 (632)	4.6 (469)	2.55 (260)

1 kN ~ 101.97 kg. All values are approximate and can be used as estimates for initial calculations. Actual load tests are mandatory! The manufacturer is not liable for damage caused due to errors in the calculation of loads.



ACCESSORIES

Ground screw accessories provide enhanced flexibility for any construction project. These accessories are crafted from high-quality, hot-dip galvanized steel, ensuring durability and reliability. They allow you to extend the ground screw or adapt it to different profiles for specialized applications.

ADJUSTABLE
L-BRACKETS



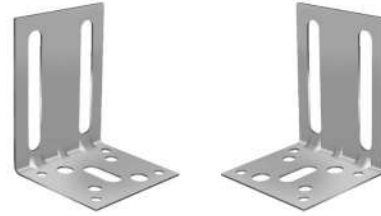
M ADAPTOR



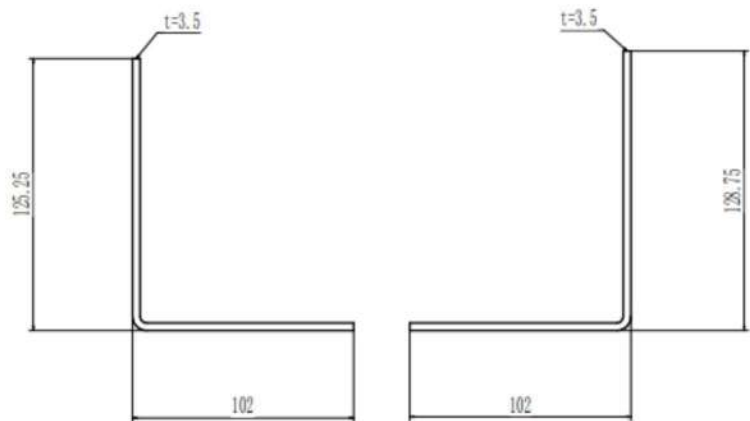
EXTENSION Im



➤ M to U adapter



Adjustable L-brackets offer increased flexibility for using popular timber sizes in your foundation frame. Simply adjust the brackets to the required width, mount them on top of any M-profile ground screw, and secure with a bolt. These brackets also enable rotation, allowing you to align the timber in the desired direction.

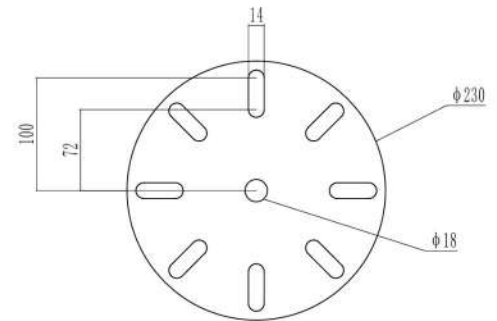
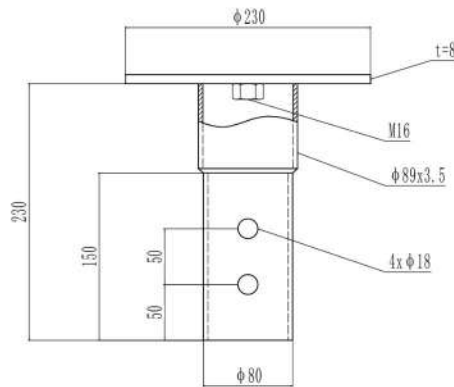


Each set includes **two brackets**, along with a **washer and bolt**. If needed, a single bracket can also be used independently.



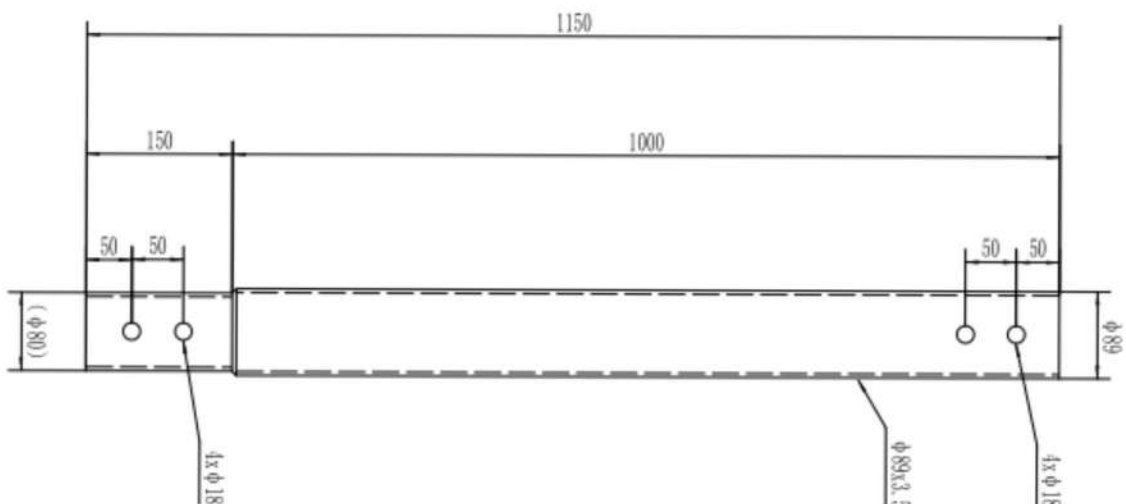
➤ G 76 to M adapter, G 89 to M adapter

Transforms G profile to M profile



➤ G 76 x 1000, G 89 x 1000 extension

Extends G profile for 1 meter



ACCESSORIES

Ground screw accessories provide enhanced flexibility for any construction project. These accessories are crafted from high-quality, hot-dip galvanized steel, ensuring durability and reliability. They allow you to extend the ground screw or adapt it to different profiles for specialized applications.

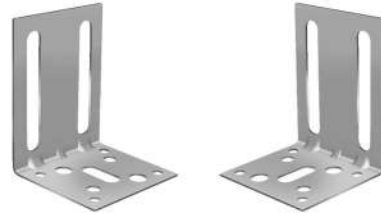
L ADAPTOR

ADJUSTABLE
L-ADAPTOR
TO G PROFILE

G GROUND SCREW

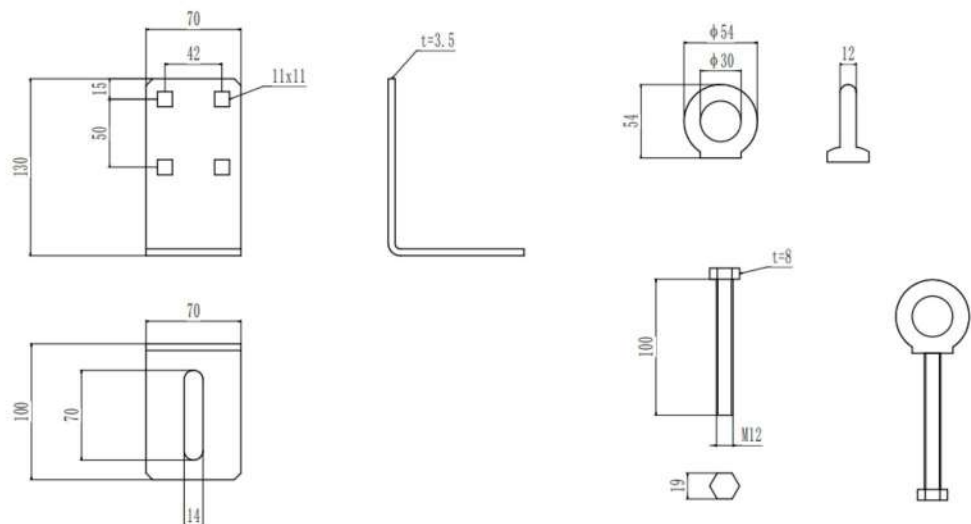


G TO L adapter



The **adjustable G-to-L adapter** provides added flexibility for using popular timber sizes in your foundation frame. Simply adjust the bracket to the required width, attach it to any G-profile ground screw, and secure it with a bolt. The bracket also allows for rotation, making it easy to align the timber in the desired direction.

G to L adapter is easier to use. It allows 360° rotation and adjusting the L bracket to necessary position.

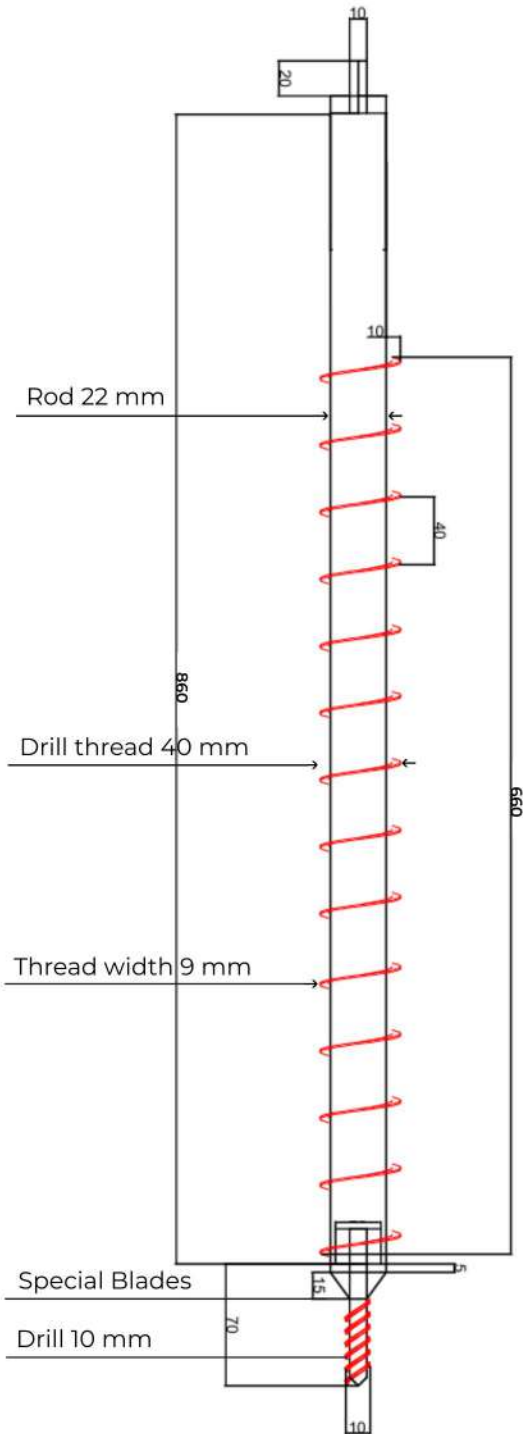




Pre drilling tool



GROUND SCREW PRE DRILLING TOOL



Pre-drilling for ground screws makes installation much easier, especially in hard soils. This process helps reduce the effort needed to install ground screws manually, with a steel rod, or using a ground screw reducer. Additionally, pre-drilling lowers the strain on power tools, preventing overheating and potential burnout.

40 mm

drill thread

10 mm

connection with screw driver (bit)

660 mm

thread length

22 mm

base

SPECIAL BLADES

for cutting harder soil

for
**RENT
& SALE**

INSTALLATION EQUIPMENT

The ground screw **reductor** is an excellent mechanical tool that enables ground screws to be installed using a standard electric screwdriver. It's ideal for installing ground screws up to 1000mm in length, making the process more efficient and accessible.

1 minute
assembling time

13 kg
weight

40x25x10 cm
box size

regular screwdriver
compatible to

1:78
gear ratio

➤ Ground Screw Reductor



Adaptors for all profiles:



for
**RENT
& SALE**



INSTALLATION EQUIPMENT

Professional ground screw installation equipment simplifies the process and offers significant benefits for installers. Ground screw drivers provide higher torque and enable faster installation, enhancing efficiency on the job.

10000 N.M
max. torque

230 V
voltage

23 A
max. AC current

5000 W
max. power consumption

12 rotation/min
no-load speed

➤ Screw Pile driver SPD-10 000



Set includes:

- Screw Pile driver
- bearing shoulder
- handle
- spare coals
- assembly tools
- instruction

Adaptor heads not included!

for
**RENT
& SALE**

INOVAT

PILLARS



+371 29166956

+371 27995899

info@inovatpillars.com



Ventspils street 50, Riga, Latvia,
LV-1002

SCAN ME



www.inovatpillars.com